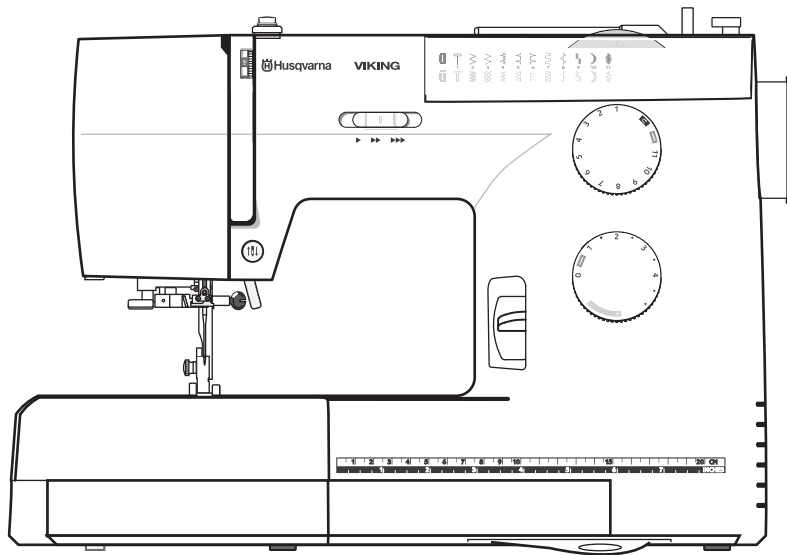
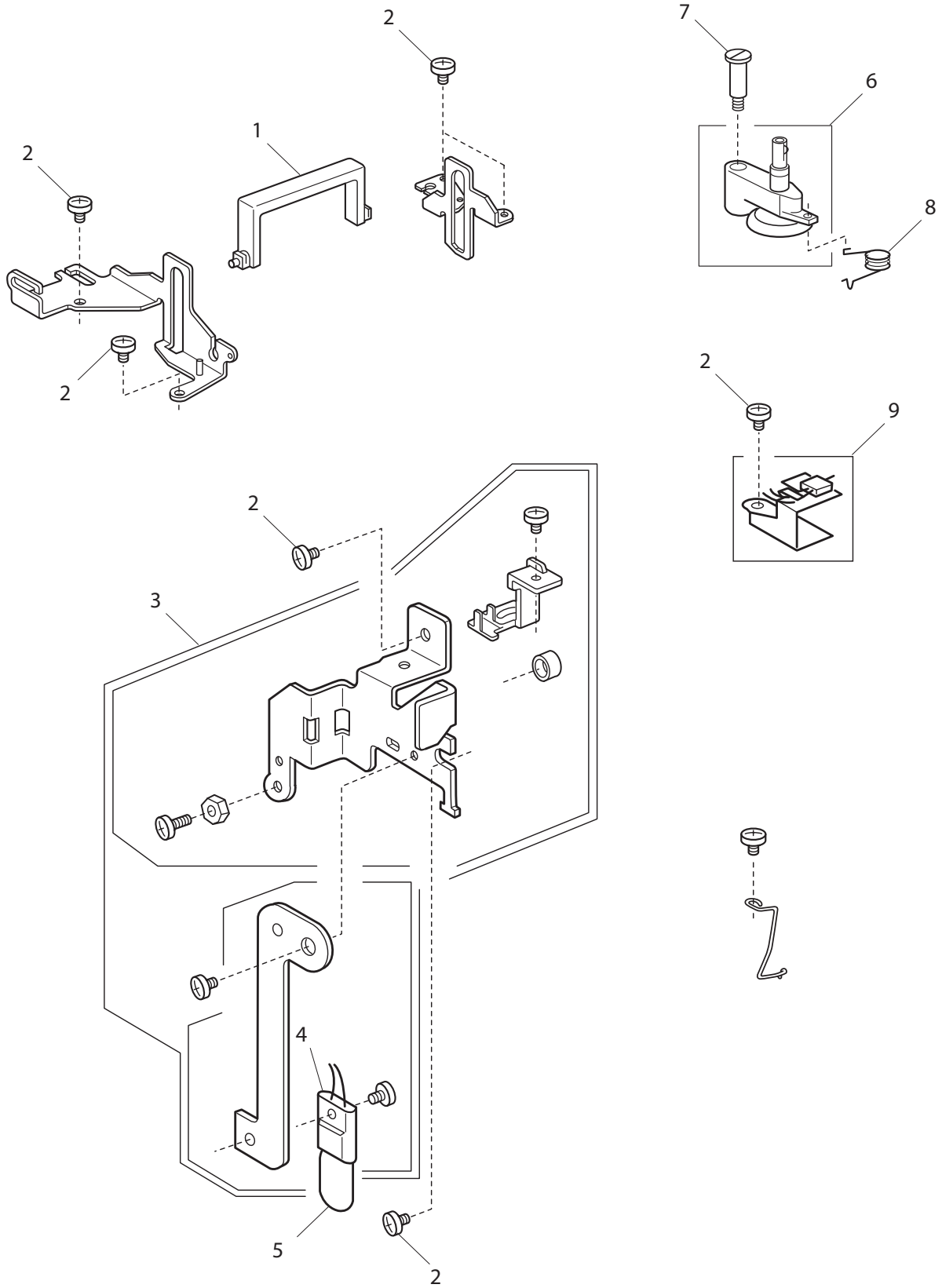


Parts List



*Eden Rose*TM 250M

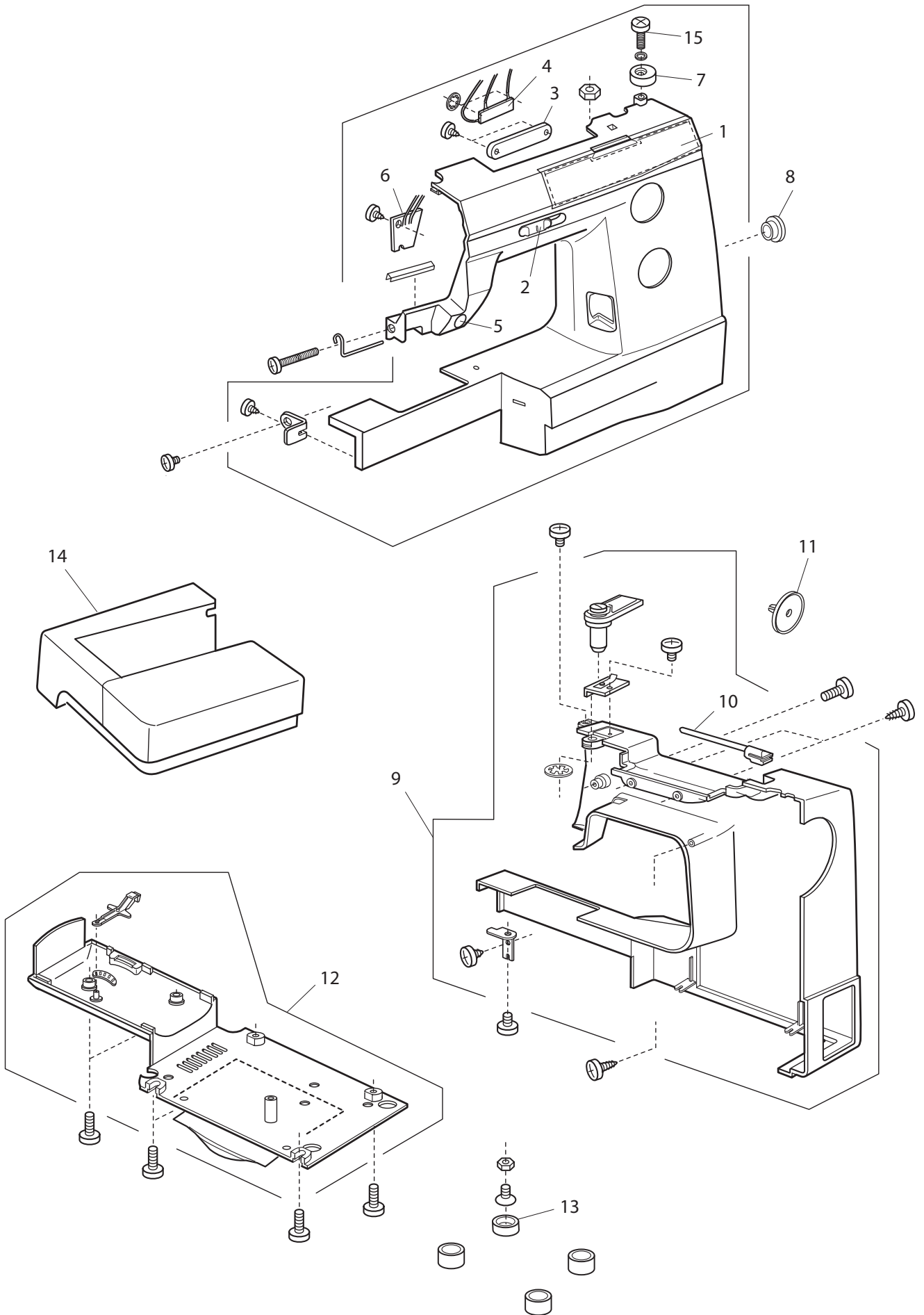
A



<u>NO.</u>	<u>PART NO.</u>	<u>DESCRIPTION</u>
1	416023201	Carrying handle
2	416019701	Set screw 4x8
3	416587201	Face plate set plate (unit)
4	416254201	Lamp socket (unit)
5	416049301	Wedge base lamp 12V 5W
6	416033501	Bobbin winder (unit)
7	416033001	Set screw
8	416587701	Spring
9	416587801	Switch base plate (unit)

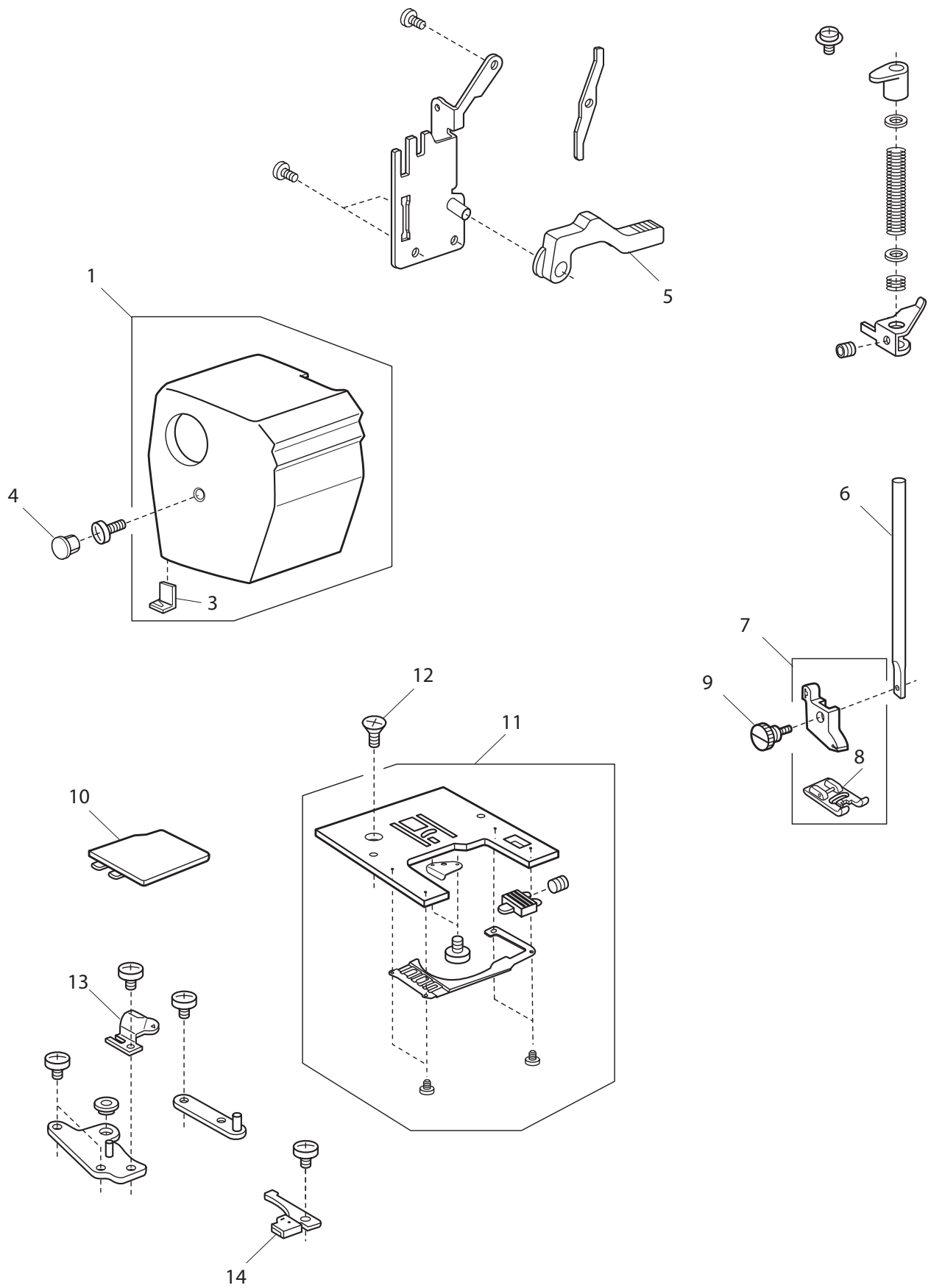
A

B



<u>NO.</u>	<u>PART NO.</u>	<u>DESCRIPTION</u>
1	416701301	Ornamental panel
2	416228501	Speed adjusting dial
3	416227501	Slide volume knob
4	416701401	Slide volume (unit)
5	416227201	U/D button
6	416588301	Printed circuit board F (unit)
7	416034901	Bobbin winder stopper
8	416035901	Cap
9	416226201	Rear cover (unit)
10	416034001	Additional spool pin
11	416078401	Spool holder (large)
12	416701501	Base cover (unit)
13	416034801	Rubber foot
14	416227001	Extension table (unit)
15	416020601	Setscrew 4x14

C

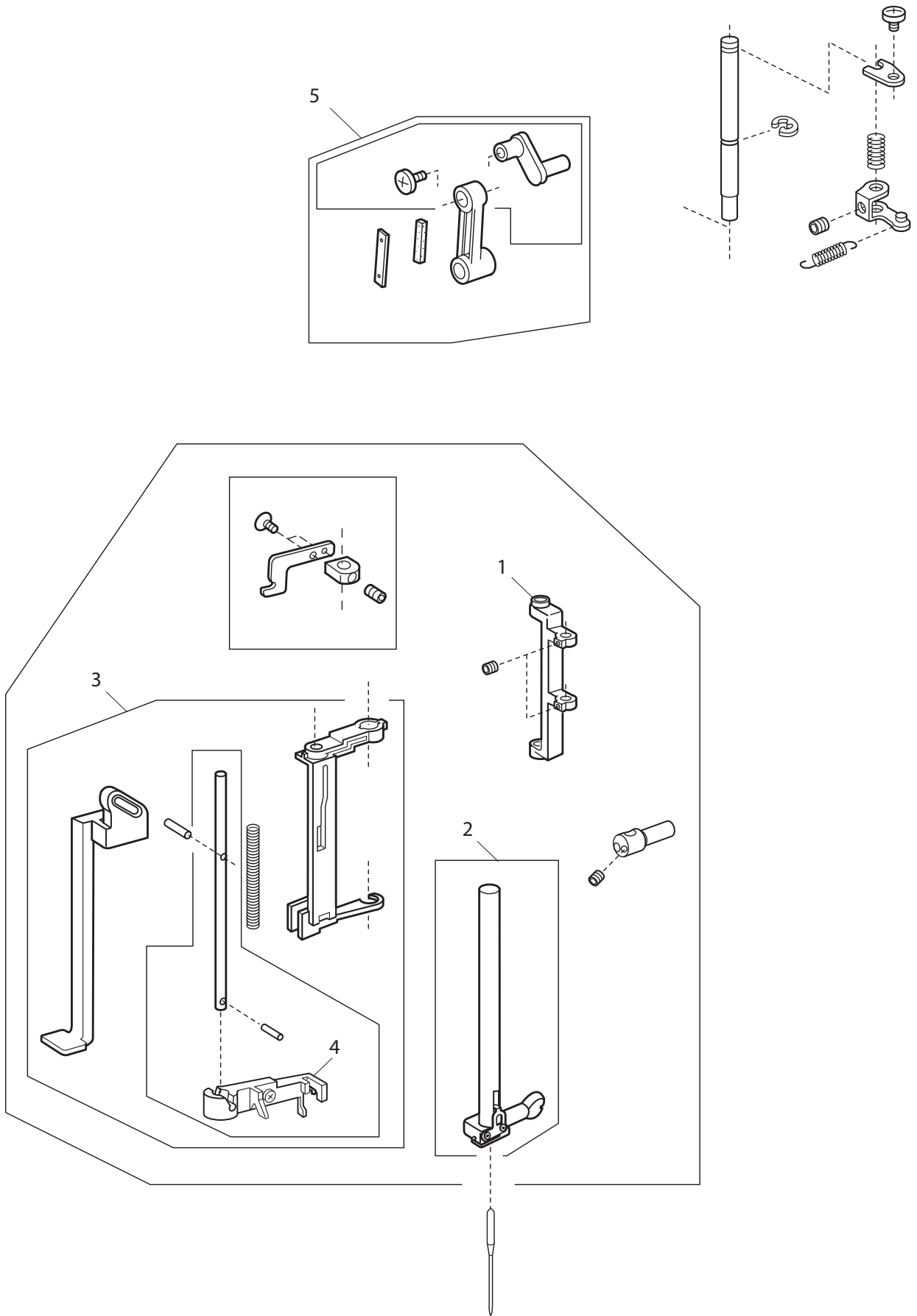


NO. PART NO. DESCRIPTION

C

1	416701701	Face plate (unit)
3	416044601	Thread cutter (unit)
4	416035901	Cap
5	416035101	Presser foot lifter
6	416043701	Presser bar
7	416589501	Presser foot (unit)
8	412764001	Zigzag foot
9	416030201	Set screw
10	416258601	Hook cover plate
11	416037401	Needle plate (unit)
12	416041801	Needle plate set screw
13	416042301	Bobbin holder stopper
14	416037301	Bobbin holder stopper (unit)

D

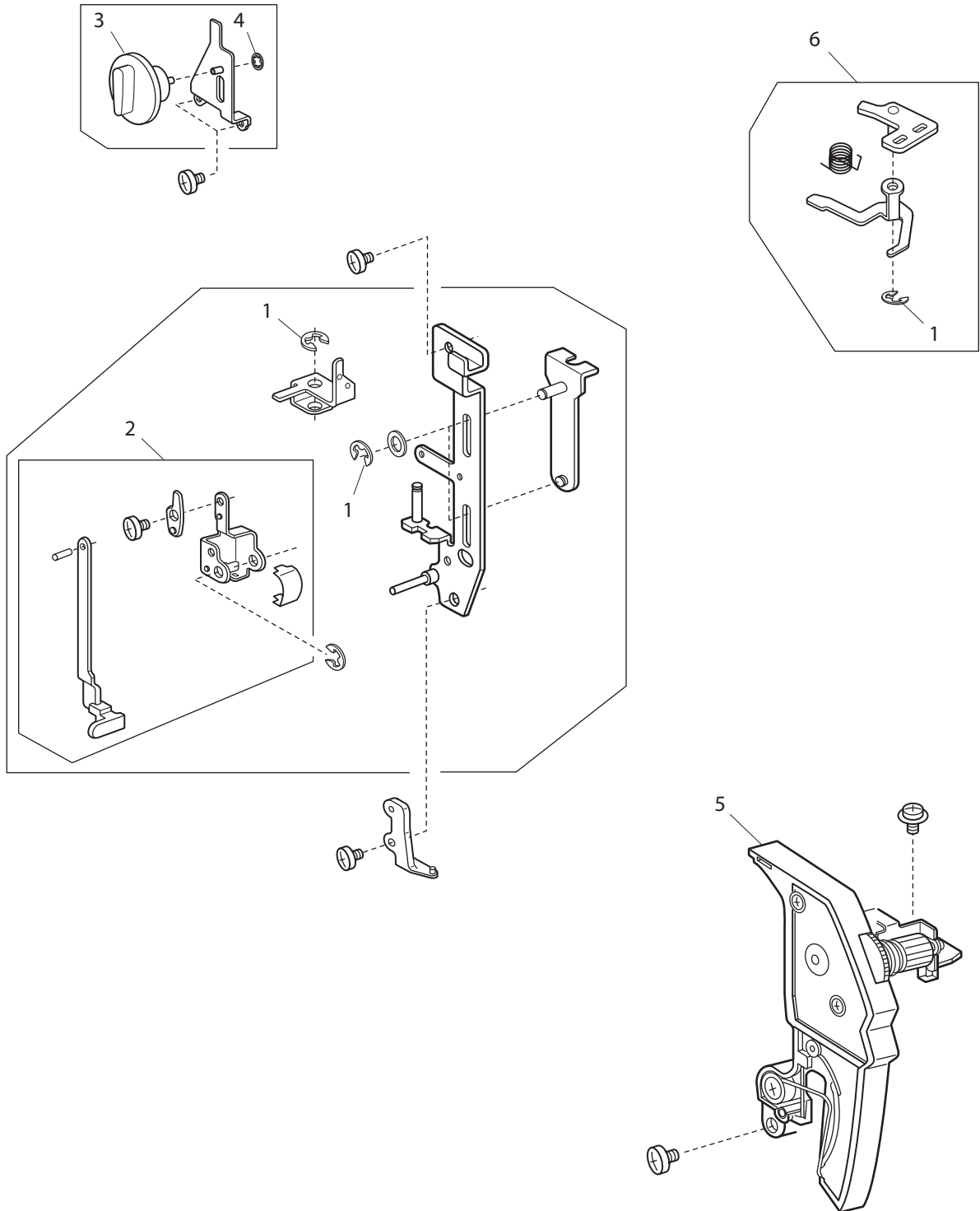


NO. PART NO. DESCRIPTION

D

1	416036301	Needle bar supporter
2	416253101	Needle bar (unit)
3	416044801	Needle threader (unit)
4	416040201	Threader plate (unit)
5	416590201	Needle bar crank rod (unit)

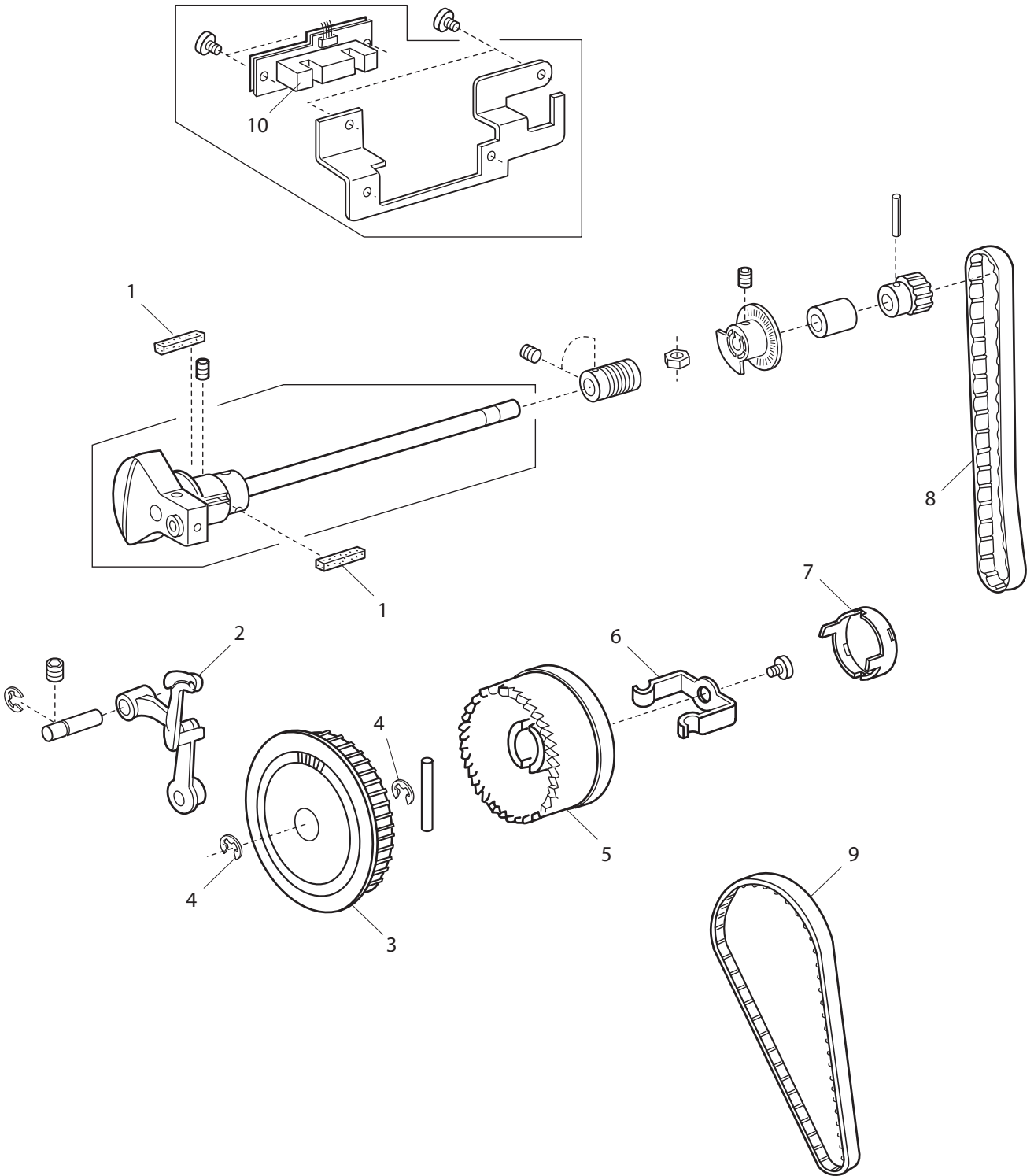
E



NO. PART NO. DESCRIPTION

E

1	416017401	Snap ring E-3
2	416037901	Buttonhole lever (unit)
3	416253801	Presser foot pressure dial
4	416018101	Snap ring CS-4
5	416253901	Thread tension (unit)
6	416590501	Thread tension release arm (unit)

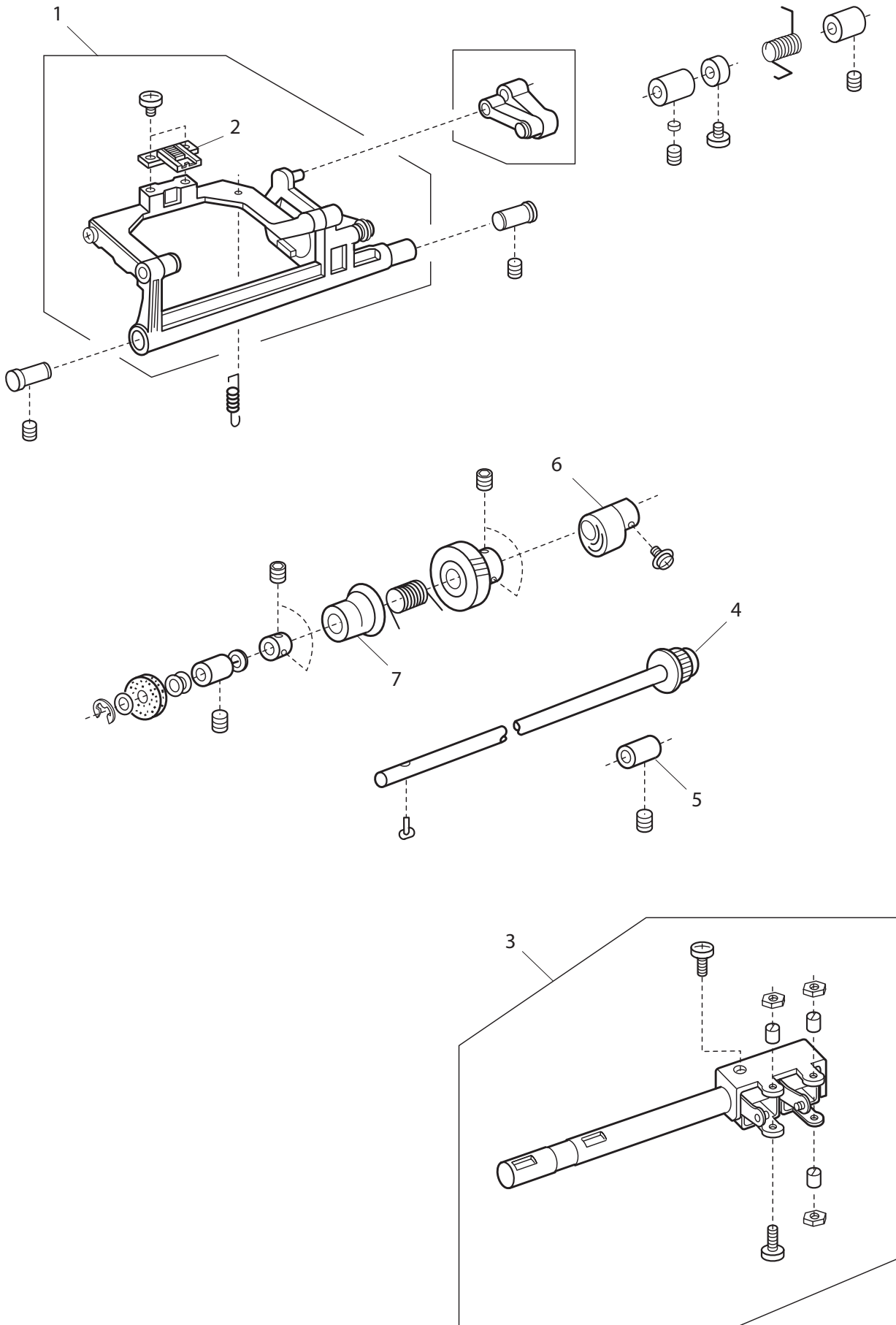


NO. PART NO. DESCRIPTION

F

1	416034601	Felt
2	416041901	Thread take-up lever (unit)
3	416040401	Belt wheel
4	416018601	Snap ring E-8
5	416035701	Handwheel
6	416030001	Clutch spring
7	416035801	Handwheel cap
8	416702201	Timing belt
9	416033801	Timing belt
10	416254901	Printed circuit board N (unit)

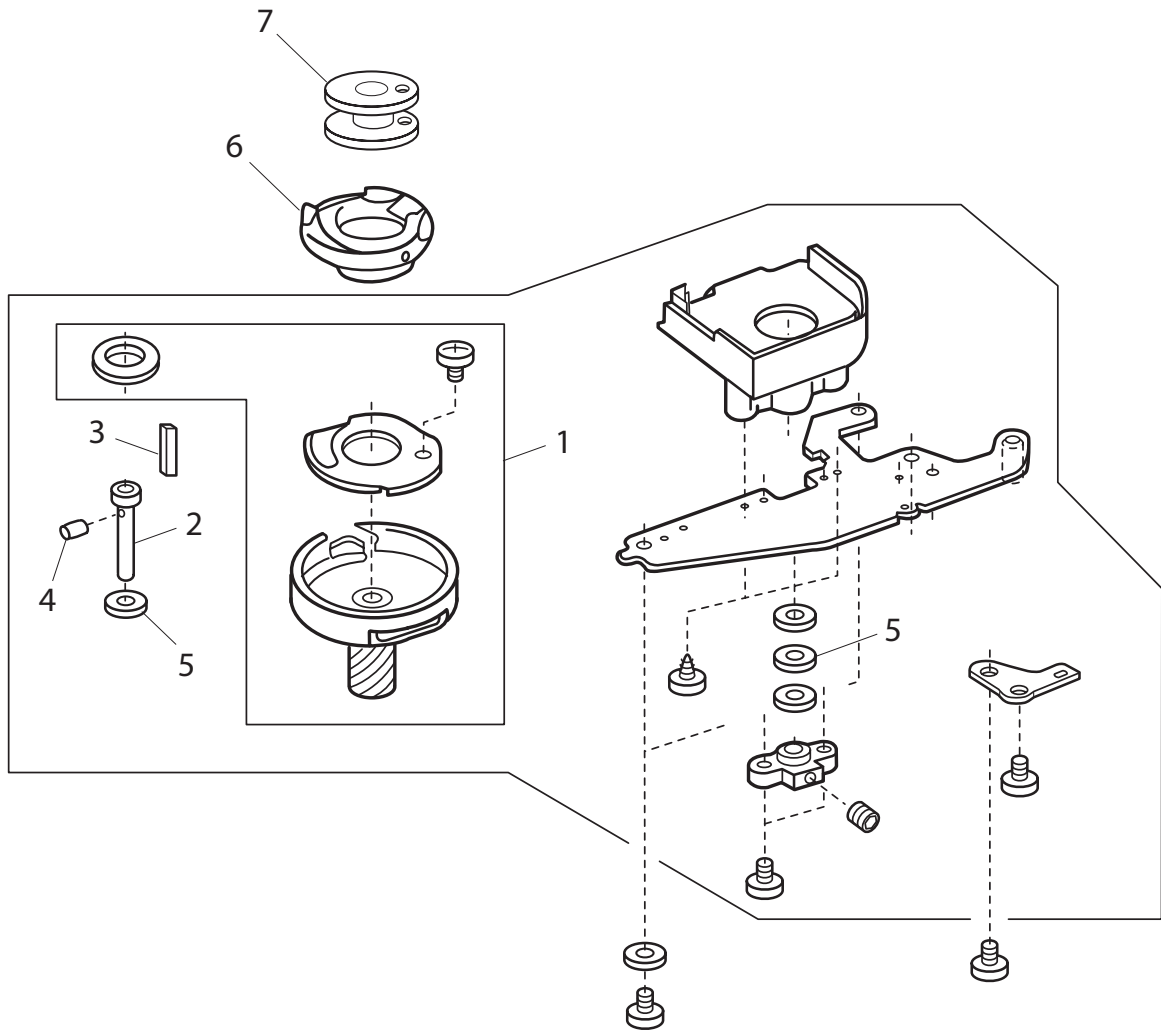
G



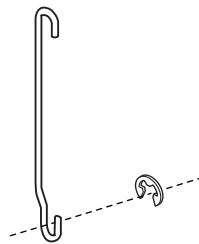
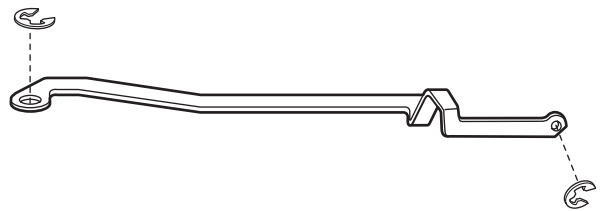
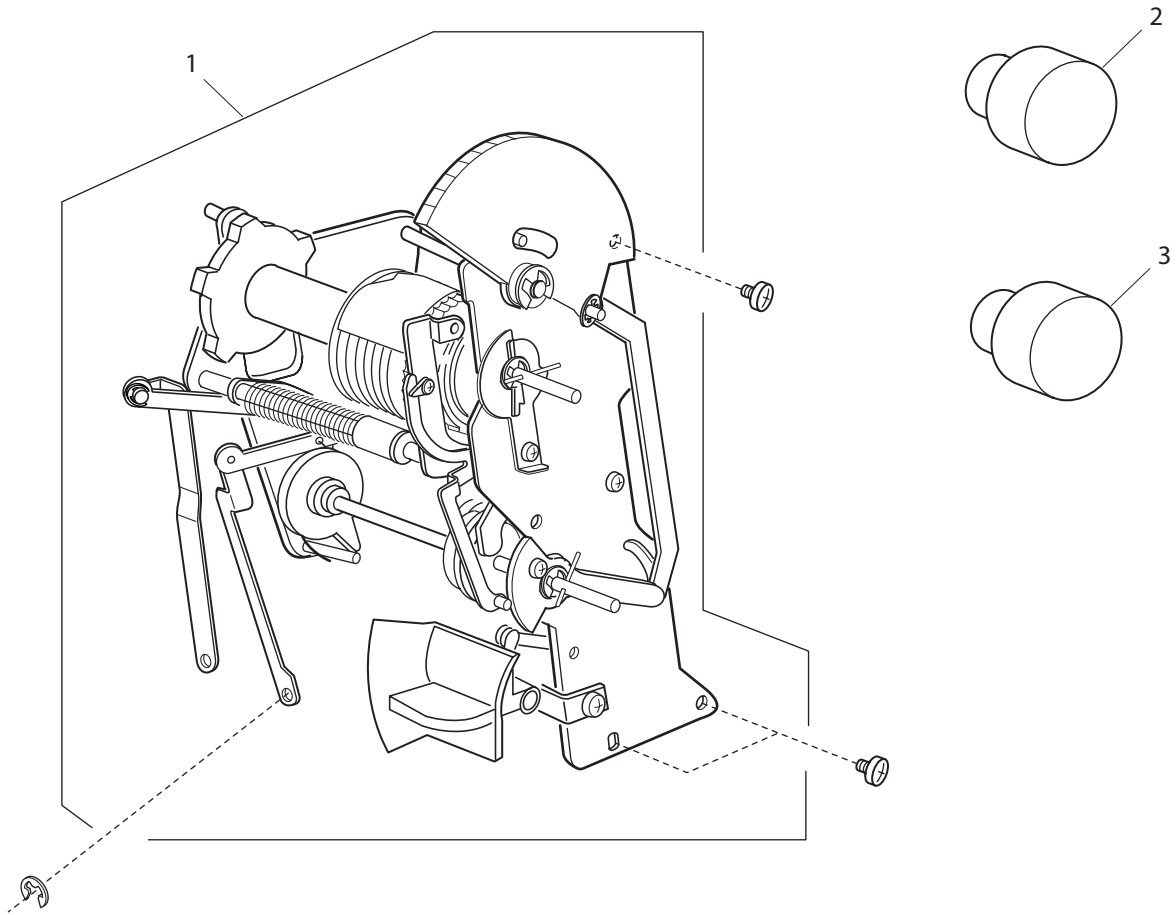
<u>NO.</u>	<u>PART NO.</u>	<u>DESCRIPTION</u>
1	416591001	Feed lock shaft (unit)
2	416033901	Feed dog
3	416591101	Feed regulating plate (unit)
4	416037701	Lower shaft (unit)
5	416031801	Lower shaft bushing (rear)
6	416037001	Feed cam
7	416039001	Feed lifting cam

G

H



<u>NO.</u>	<u>PART NO.</u>	<u>DESCRIPTION</u>
1	416033701	Hook body (unit)
2	416041101	Hook race shaft
3	416041201	Oil string (1)
4	416041301	Oil string (2)
5	416018701	Washer
6	416591701	Bobbin holder (unit)
7	68001389	Bobbin

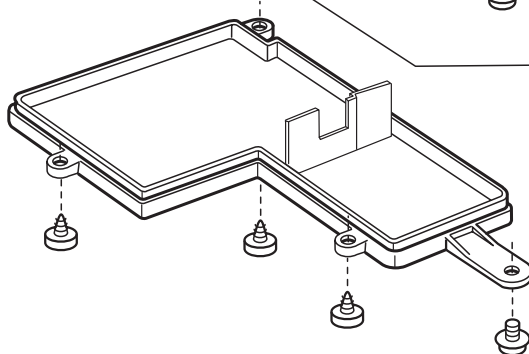
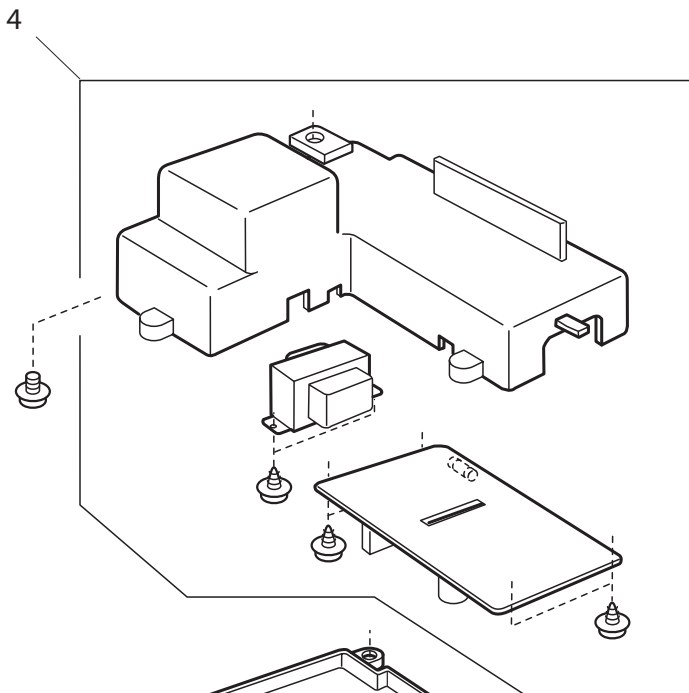
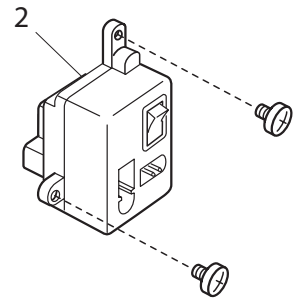
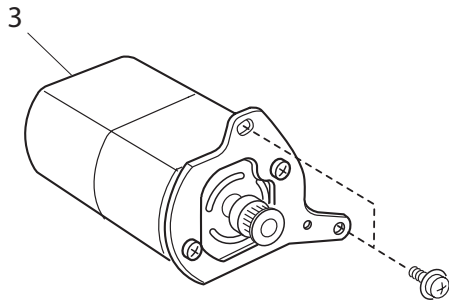
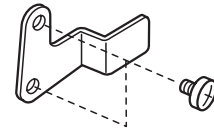
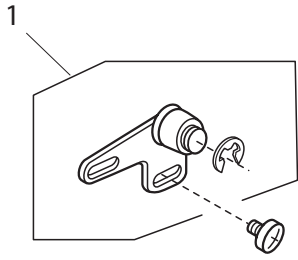


NO. PART NO. DESCRIPTION

1	416702301	Cam block (unit)
2	416256601	Pattern selector dial
3	416702501	Stitch length dial

|

J

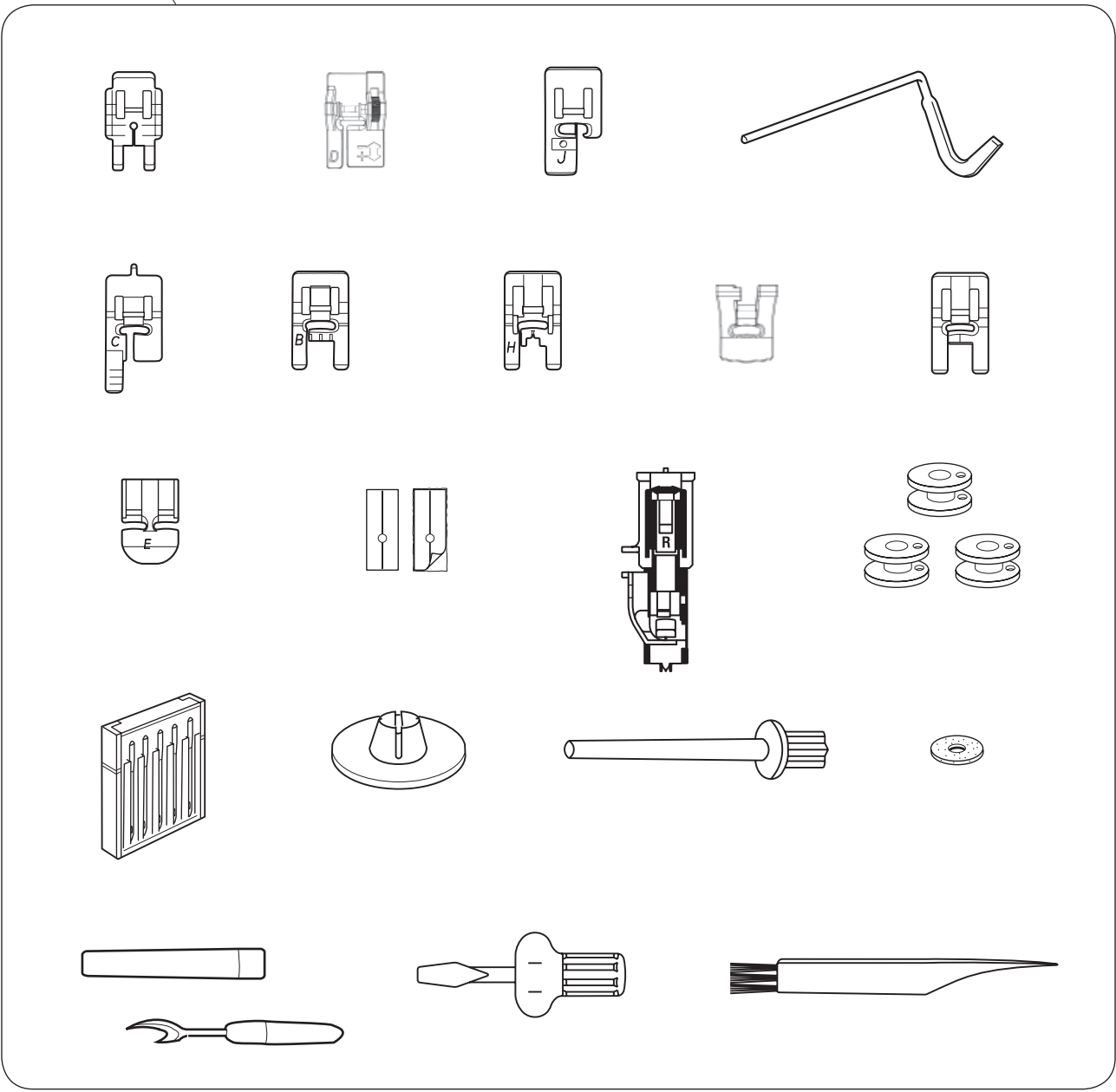


NO. PART NO. DESCRIPTION

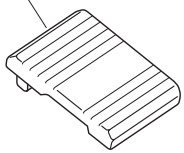
J

1	416039101	Idler (unit)
2	416592201	Machine socket (unit)
	416592101	Machine socket (unit)
3	416592301	Motor (unit) 120 V
	416259001	Motor (unit) 240 V
4	416259401	Circuit board case (unit) EU/AU
4	416257401	Circuit board case (unit) US/CA

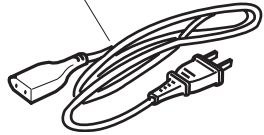
1



2



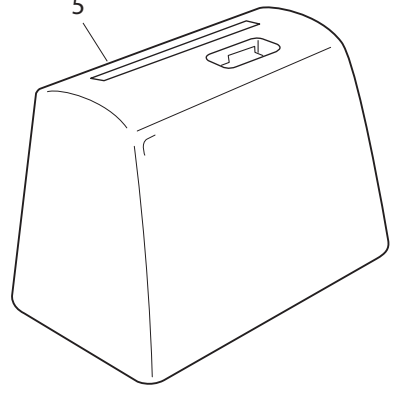
3



4



5



<u>NO.</u>	<u>PART NO.</u>	<u>DESCRIPTION</u>
1	416592601	Standard accessories (unit)
2	416592501	Foot control (unit)
3	412157903	Power supply cord (USA)
	412157801	Power supply cord (Europe)
4	413365926	Instruction book
5	416315501	Cover